

BREDA

24" DRYER, HEAT PUMP



LUDH92700

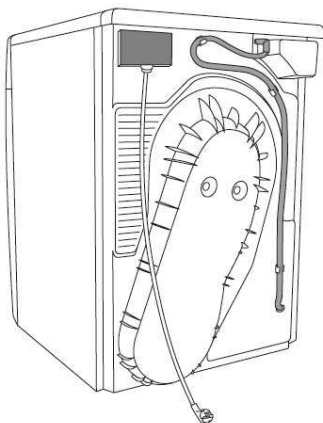
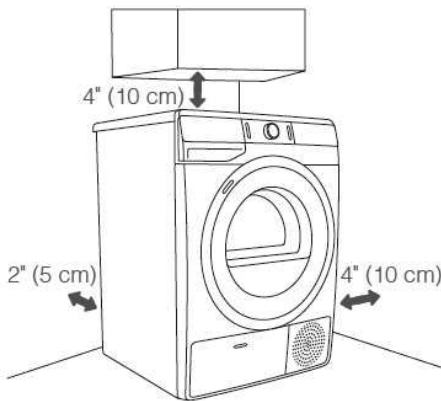


Features

- Stainless Steel Interior Tub
- 4.2 CuFt Capacity
- 19.8 Lbs Load Capacity
- Brushless DC Motor
- 220V Power Plug
- 14 Dry Programs
- 5 Auxiliary Functions
- Energy Star
- 2 Year Full Parts + Labor Warranty

Dimensions:

- Height: 33.5"
- Width: 23.5"
- Depth: 24" - Machine Depth
- 25.5" - Door Closed
- 44.5" - Door Open



FEATURES	
Capacity cu. ft.	4.2
Load Capacity	19.8 lbs / 9 kg
Drum Material	Stainless Steel
Controls	Electronic
Number of Programs	14 Programs: Cotton Extra Dry, Cotton Normal, Cotton Damp Iron, Mixed Fabric, Mixed Damp Iron, Wool, Delicates, Shirts - Perm. Press, Active Wear, Air Refresh, Down Wear, Time, Baby (clothes) & Bedding
Auxiliary Functions	Half Load, EcoEye, Extra Dry, Time Dry & Anti-Crease
Time Delay	Yes
Child Lock	Yes
Adjustable Feet	Yes
TECHNICAL	
Energy Star Qualified	Yes
Energy consumption	280 kWh/year
Height	33 1/2" (850 mm)
Width	23 1/2" (600 mm)
Depth	24" (610 mm) - Machine Depth 25 1/2" (640 mm) - Door Closed 44 1/2" (1125 mm) - Door Open
Weight	123.24 lbs / 55.9 kg
Electrical connection:	Power Plug
Electric current supply	220-240 V / 60 Hz
Refrigerant	R134a

BREDA

24" DRYER, ELECTRIC - VENTED

LUDV82700

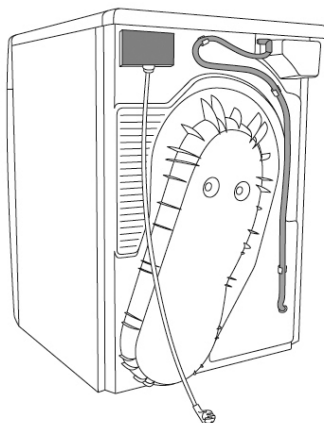
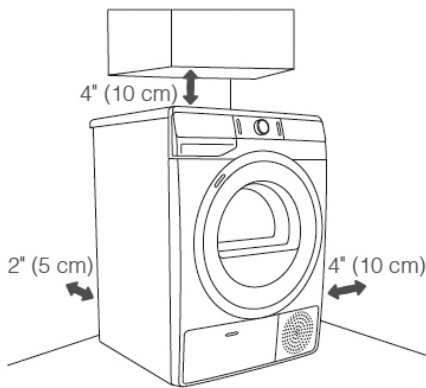


Features

- Stainless Steel Interior Tub
- 4.2 CuFt Capacity
- 19.8 Lbs Load Capacity
- Brushless DC Motor
- 220V Power Plug
- 14 Dry Programs
- 4 Auxiliary Functions
- Energy Star
- 2 Year Full Parts + Labor Warranty

Dimensions:

- Height: 33.5"
- Width: 23.5"
- Depth: 24" - Machine Depth
- 25.5" - Door Closed
- 44.5" - Door Open



FEATURES	
Capacity cu. ft.	4.2
Load Capacity	17.6 lbs / 8 kg
Drum Material	Stainless Steel
Controls	Electronic
Number of Programs	14 Programs Bedding, Baby, Time, Down Wear, Air Refresh, Active Wear, Perm Press, Cotton Extra Dry, Cotton Normal, Cotton Damp Iron, Wool & Delicates
Auxiliary Functions	Half Load, EcoEye, Extra Dry, & Time Dry
Time Delay	Yes
Child Lock	Yes
Adjustable Feet	Yes
TECHNICAL	
Height	33 1/2" (850 mm)
Width	23 1/2" (600 mm)
Depth	24" (610 mm) - Machine Depth 25 1/2" (640 mm) - Door Closed 44 1/2" (1125 mm) - Door Open
Weight	123.24 lbs / 55.9 kg
Electrical connection:	Power Plug
Electric current supply	220-240 V / 60 Hz

BREDA

24" FRONT LOAD WASHING MACHINE



LUWM71200

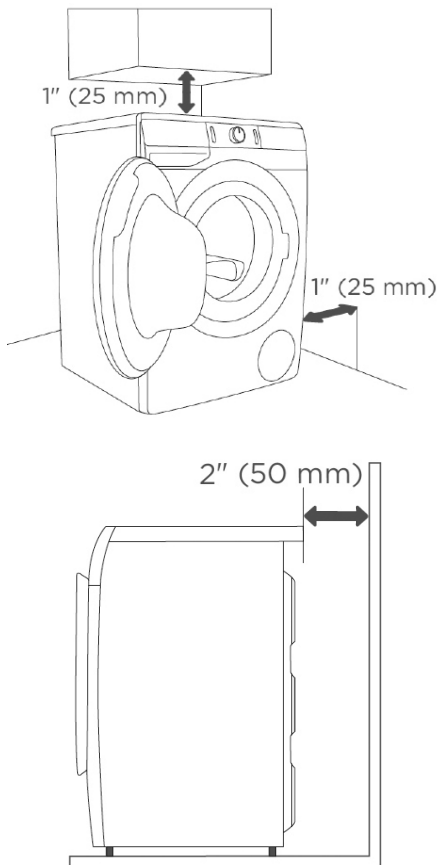


Features

- Stainless Steel Interior Tub
- 2.3 CuFt Capacity
- 17.6 Lbs Load Capacity
- Brushless DC Motor
- 220V Power Plug (Plugs into dryer)
- 16 Wash Programs
- 4 Auxiliary Functions
- Energy Star
- 2 Year Full Parts + Labor Warranty

Dimensions:

- Height: 33.5"
- Width: 23.5"
- Depth: 21.5" - Machine Depth
22.75" - Door Closed
41.75" - Door Open



FEATURES	
Capacity cu. ft.	2.3
Load Capacity	15.4 lbs / 7 kg
Drum Material	Stainless Steel
Controls	Electronic
Number of Programs	16 Programs: Auto Wash, Allergy Care Hot, Heavy Duty (Ex. Hot Hot, Warm, Cold), Spin + Drain, Rinsing, Sanitize, Tub, Cotton (Ext. Hot, Hot, Warm, Cold), Mixed Warm, Down Wear Warm & Active Wear Warm
Auxiliary Functions	NormalCare, EcoCare & TimeCare, Water+, Prewash
RPM	1200
Motor	Brushless
Time Delay	Yes
Child Lock	Yes
Clean Pump Filter Indicator	Yes
Adjustable Feet	Yes
Stacking Kit	Included
TECHNICAL	
Energy Star Qualified	Yes
RoHs compliant	Yes
Height	33 1/2" (850 mm)
Width	23 1/2" (600 mm)
Depth	21 1/2" (545 mm) - Machine Depth 22 3/4" (577 mm) - Door Closed 41 3/4" (1062 mm) - Door Open
Weight	149 lbs / 69 kg
Electrical connection:	Power Plug (Plugs into dryer)
Electric current supply	208-240 V / 60 Hz

BREDA

24" FRONT LOAD WASHING MACHINE



LUWM81400

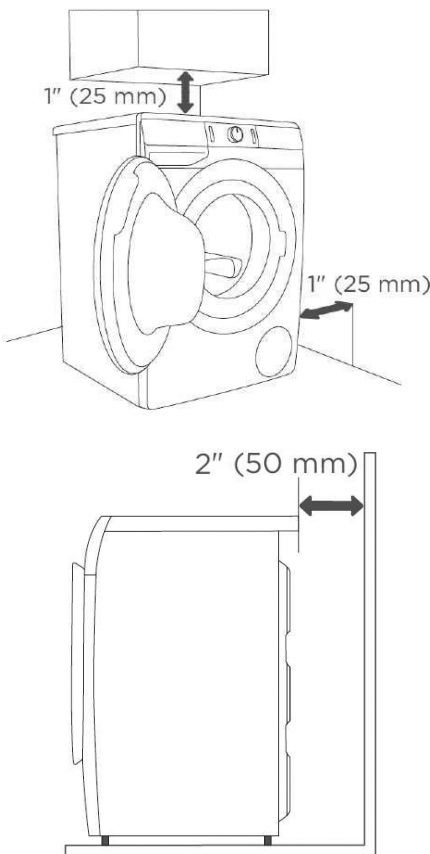


Features

- Stainless Steel Interior Tub
- 2.3 CuFt Capacity
- 17.6 Lbs Load Capacity
- Brushless DC Motor
- 220V Power Plug (Plugs into dryer)
- 16 Wash Programs
- 5 Auxiliary Functions
- Energy Star
- 2 Year Full Parts + Labor Warranty

Dimensions:

- Height: 33.5"
- Width: 23.5"
- Depth: 24" - Machine Depth
25.5" - Door Closed
44.5" - Door Open



FEATURES	
Capacity cu. ft.	2.3
Load Capacity	17.6 lbs / 8 kg
Drum Material	Stainless Steel
Controls	Electronic
Number of Programs	16 Programs: Auto Wash, Allergy Care, Heavy Duty x 4 Settings (Extra Hot, Hot, Warm & Cold) Cotton x 4 Settings (Extra Hot, Hot, Warm & Cold), Mixed, Down Wear, Active Wear, Spin + Drain, Rinse, Sanitize Tub
Auxiliary Functions	EcoCare, TimeCare, Water+, Prewash & Spin
RPM	1400
Motor	Brushless
Time Delay	Yes
Child Lock	Yes
Adjustable Feet	Yes
TECHNICAL	
Energy Star Qualified	Yes
Energy consumption	100 kWh/year
RoHs compliant	Yes
Height	33 1/2" (850 mm)
Width	23 1/2" (600 mm)
Depth	24" (610 mm) - Machine Depth 25 1/2" (640 mm) - Door Closed 44 1/2" (1125 mm) - Door Open
Weight	172.8lbs / 78kg
Electrical connection:	Power Plug (Plugs into dryer)
Electric current supply	220-240 V / 60 Hz

BREDA

24" FRONT LOAD WASHING MACHINE



LUWM91400

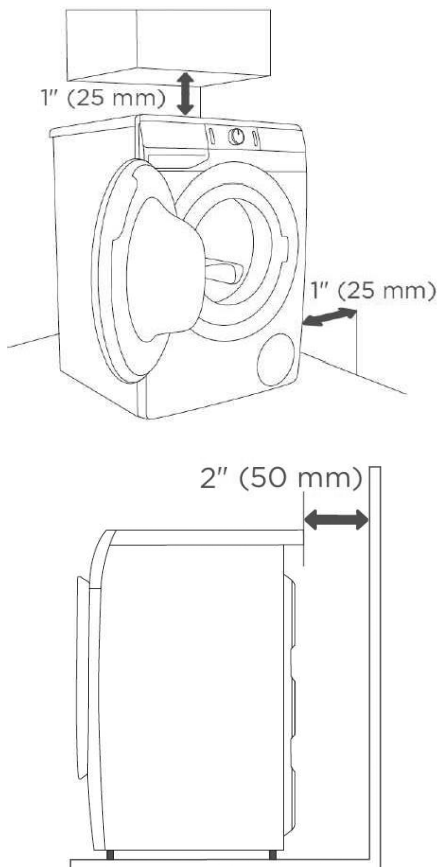


Features

- Stainless Steel Interior Tub
- 2.3 CuFt Capacity
- 19.8 Lbs Load Capacity
- Brushless DC Motor
- 220V Power Plug (Plugs into dryer)
- 14 Wash Programs
- 7 Auxiliary Functions
- Energy Star
- 2 Year Full Parts + Labor Warranty

Dimensions:

- Height: 33.5"
- Width: 23.5"
- Depth: 24" - Machine Depth
25.5" - Door Closed
44.5" - Door Open



FEATURES	
Capacity cu. ft.	2.3
Drum Material	Stainless Steel
Load Capacity	19.8 lbs / 9 kg
Controls	Electronic
Number of Programs	14 Programs: Auto Wash, Allergy Care, Down Wear, Active Wear, Cotton Dark, Cotton Colour, Cotton White, Mixed Fabric, Wool, Heavy Duty, Quick Wash, Spin+Drain, Rinsing & Sanitize Tub
Auxiliary Functions	EcoCare, TimeCare, EcoEye, Prewash, Water+, Temperature Setting & Spin
RPM	1400
Motor	Brushless
Time Delay	Yes
Child Lock	Yes
Adjustable Feet	Yes
TECHNICAL	
Energy Star Qualified	Yes
Energy consumption	100 kWh/year
RoHs compliant	Yes
Height	33 1/2" (850 mm)
Width	23 1/2" (600 mm)
Depth	24" (610 mm) - Machine Depth 25 1/2" (640 mm) - Door Closed 44 1/2" (1125 mm) - Door Open
Weight	172.8 lbs / 78 kg
Electrical connection:	Power Plug (Plugs into dryer)
Electric current supply	220-240 V / 60 Hz